

Grote LED Lamps

No matter where you're going or what you're doing, these lamps will light up what's in front of you!

GROTE LED BAR LAMPS

- Grote bar lamps are easier on vehicle electrical systems because they run cooler and use less power than halogen or HID lamps of the same output.
- The Far Flood pattern shines far and wide with light most like sunlight so you always know what you're looking at.
- The bar lamps are built to withstand extreme heat or cold.

LUMENS
3600 r | 2976 i | 2708 e
Raw Instant-On Effective



10" LAMP



Harness and Hardware included

LUMENS
7200 r | 5952 i | 5416 e
Raw Instant-On Effective



20" LAMP

LUMENS
10800 r | 8928 i | 8124 e
Raw Instant-On Effective



30" LAMP

PART NUMBER	TERMINATION	BEAM PATTERN	OPERATING VOLTAGE	AMPERAGE
64J11	AMP SS	FAR FLOOD	12V/24V	3.5A AT 12V / 1.5A AT 24V
64J21	AMP SS	FAR FLOOD	12V/24V	7A AT 12V / 3A AT 24V
64J31	AMP SS	FAR FLOOD	12V/24V	10.5A AT 12V / 5.25A AT 24V

GROTE LED HEADLAMPS

Use Grote LED Headlamps to Replace those Tired, Dim Halogen Lamps

LED headlights have color temperature most like natural sunlight. They improve the driving experience for drivers by decreasing eye fatigue and providing better detail, thus decreasing chances for accidents.

90941-5

Grote 7 is a DOT approved, 2D1 headlamp system, legal for all 7" (Par56) systems, including motorcycles, passenger vehicles, and commercial vehicles



90951-5

Grote 5-7 is a DOT approved, 2B1 2-lamp headlamp system, legal for all 5" x 7" (148mm) systems



230 Travail Road, Markham, Ontario, Canada L3S 3J1
Tel: 800.268.5612 US: 800.628.0809
www.grote.com

Grote's Got It!



April 2015

DEXRON 946ml
QDEXRON-1
Sold by case of 12



Oil Eater® Orange
119023 - 946ml



Blending & Packaging

Quality
AUTOMOTIVE
Products™

Headlight Restoration Kit
38773



The Original™ Locking C-Clamps with Swivel Pads
20



1.5 amp Battery Charger
SE-1-12S
Keeps 12 volt batteries charged. Fully automatic



Shop Towels
75120



Krew 500 Shop Towels
33933
Twin Pop Up Box



Krew 300 Wipers
33920



Hose Clamp Assortment with Rack
6210 (200 clamps)



Fender Cover
FC1



Total Clean All Over Body Mitt
45602ASCBL



Premium Chamois
5 sq. ft.
40206ASCBL



Specialty Car Wash Bucket
3 gal. (12 qt.)
94102CBL



CRC Salt Terminator
76128 - 1 gallon

76320 - 32oz



Wash'n Wax Liquid

851 - 455ml

852 - 4L



ATEQ TPMS VT55 OBDII

ATEQ's VT55 OBDII TPMS decoder / activator
The best way to turn the tire warning light OFF!

For the vehicles requiring an OBDII relearn, ATEQ's VT55 OBDII includes a universal OBD connector which interfaces with the vehicle's ECU via CANbus or K-line. Technicians only have to select the make of the vehicle, trigger the tire sensors and transfer the IDs.

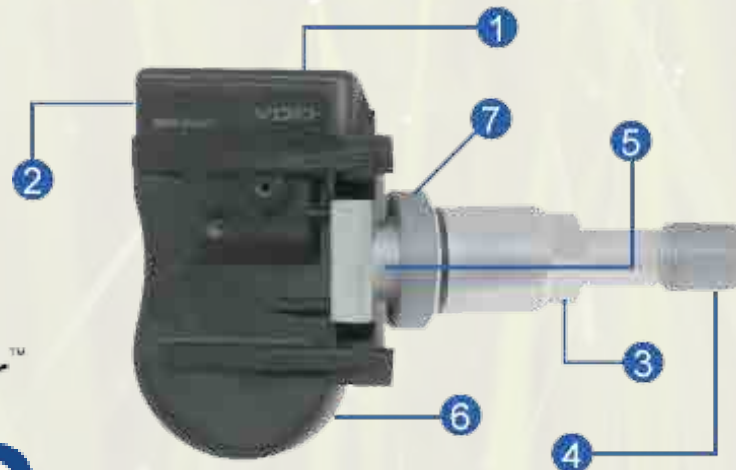
It is that easy and fast to accurately activate and decode TPMS sensors and display the data or any faults. Training is nearly nonexistent as the whole process is displayed on-screen. Even the newest recruited technician can use the VT55 OBDII.

Tackle TPMS service with no waiting for parts delivery!

OE engineering for the aftermarket:

1. VDO multi-application sensor technology easily syncs with a variety of vehicles
2. Ready out of the box! Pre-programmed and designed to follow OE vehicle relearn procedures
3. Valve core, stem and hex nut treated against corrosion
4. Valve cap seal minimizes air loss
5. Pivoting valve stem makes installation easier and accommodates a wide range of wheel rim profiles
6. Robust waterproof design resists tire air moisture
7. Technically superior valve sealing design

- | | |
|-----------|-------------------------|
| SE10001HP | REDI-SENSOR VARIANT 1HP |
| SE10002 | REDI-SENSOR (315MHZ) |
| SE10003 | REDI-SENSOR (315MHZ) |
| SE10004A | REDI-SENSOR VARIANT 4A |



Order Part# TS55-1000